



Part number

CMEM 16



Brief description:

male insert, 16 poles + 2 (aux) + PE, screw terminal connection, 16A, 400/690V, 6kV, 3, silver plated, size "104.27" insulated 830V version, CLASS insert series

Product description		Approvals / Standards	
Model	male insert	Reference standard	EN 61984 (2001-11)
Version	screw terminal connections	Quality mark	 , EAC
Series	CME	Conformity	CQC, CE
Product type	with male contacts	General ordering information	
Family	CLASS inserts	EAN13 code	8015747140584
Size	size "104.27" insulated 830V version	Tariff number	85369095
N. of poles	16 poles + 	Country of origin	Made in EU (IT)
Auxiliary poles	2 poles (16A max - 500V/6kV/3)	ETIM classification	EC000438
Technical data		Packaging Information	
Current	16 A (A.C. and D.C.)	Sub-packaging weight	0,55 kg
Voltage	400 - 690 V	Sub-packaging description	Carton
Rated impulse withstand voltage	6kV	Sub-packaging quantity	5 Pcs
Pollution degree	3	Sub-packaging EAN barcode	8015747167604
Wire cross-section	0,75 mm ² - 2,50 mm ²		
AWG size	18 - 14		
Operating temperature range (min, max)	-40°C ... +125°C		
Contact type	silver plated		
Mating cycles	≥ 500		
IP degree of protection	IP20 without enclosure, IP65/IP66 with enclosure		
PE wire cross-section	0,14 - 4 mm ² ; AWG 20 - 12		
Further technical details			
Characteristics according to EN 61984	16A 400/690V 6kV 3 (aux: 16A 500V 6kV 3); 16A 1000V 8kV 2 (power contacts only)		
Insulation resistance	≥ 10 GΩ		
Rated voltage according to UL/CSA	600V		
UL 94 flammability rating	V-0		
Weight	110,00 g		

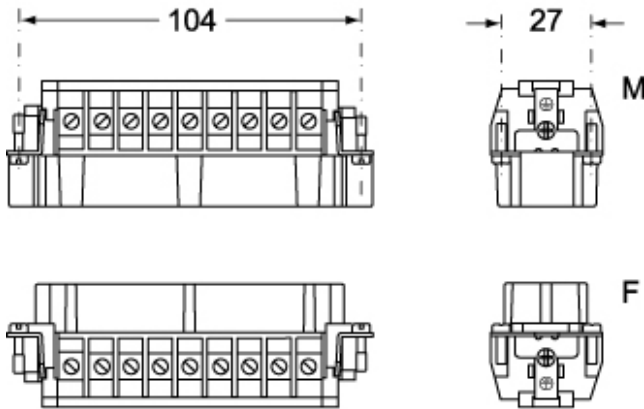
Part number

CMEM 16

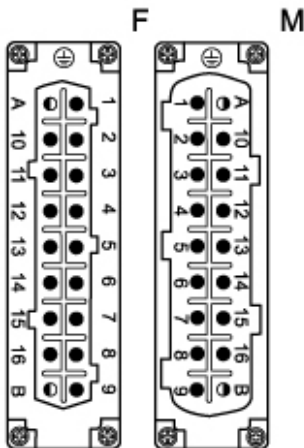


Catalogue drawings

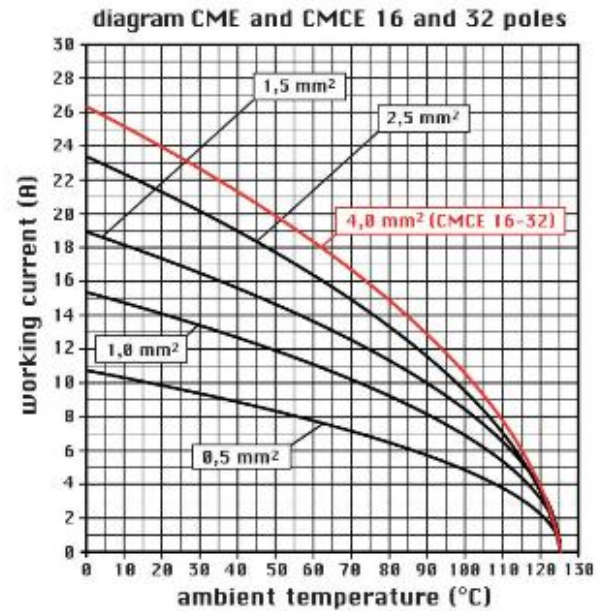
CMEM 16



CMEF 16



Catalogue drawings



Notes

CMEF/M 16 inserts:

- inserts with plate, for section conductors:
0.75 - 2.5 mm² - AWG 18 - 14
- conductors stripping length: 7 mm
- terminal screw torque: 0.5 Nm (4.4 lb.in), for more
- characteristics according to EN 61984:
16A 400/690V 6kV 3
16A 1000V 8kV 2
16A 720/1250V 8kV 2
- auxiliary contacts: 16A 500V 6kV 3
- UL, CSA, CCC, GOST certified
- rated voltage according to UL/CSA: 600V
- insulation resistance: > 10 GOhm
- ambient temperature limit: -40 °C ... +125 °C

- are made of self-extinguishing thermoplastic resin UL 94 V0
- mechanical life: > 500 cycles
- contact resistance: < 1 mOhm
- inserts and enclosures for applications with temperatures up to 180 °C, available on request;
- enclosures: size 104.27:
insulated 830V
T-TYPE IP65 insulating
W-TYPE aggressive environments
- panel supports: COB